

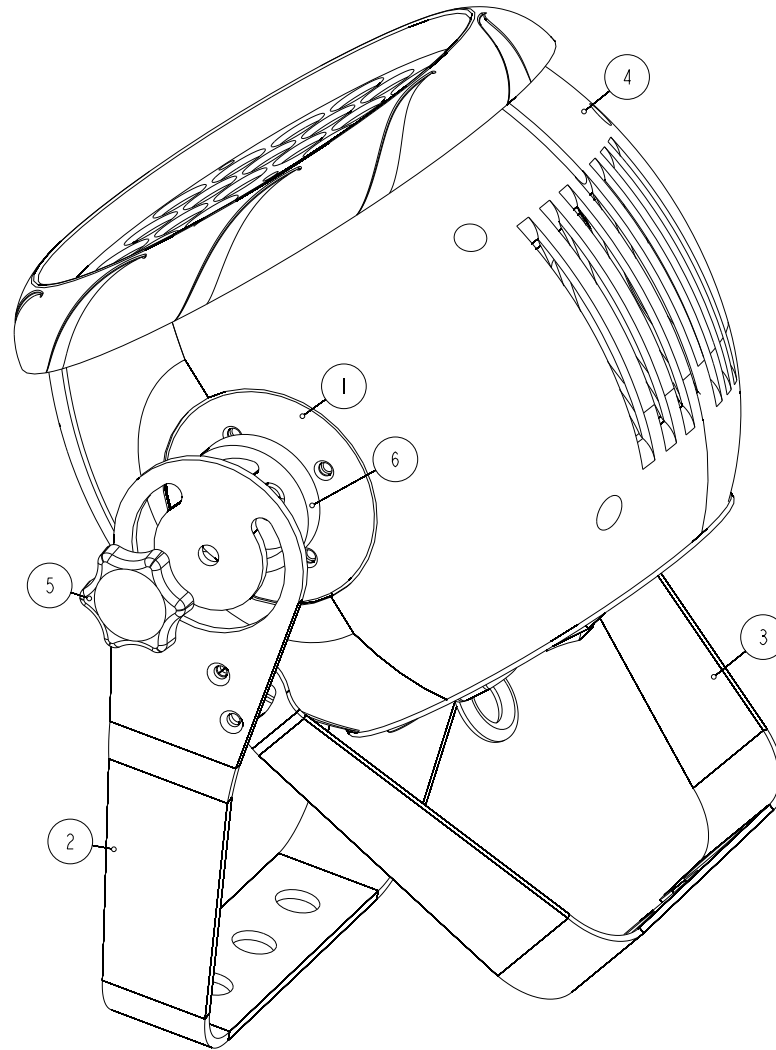
Service manual

DLED 36WA

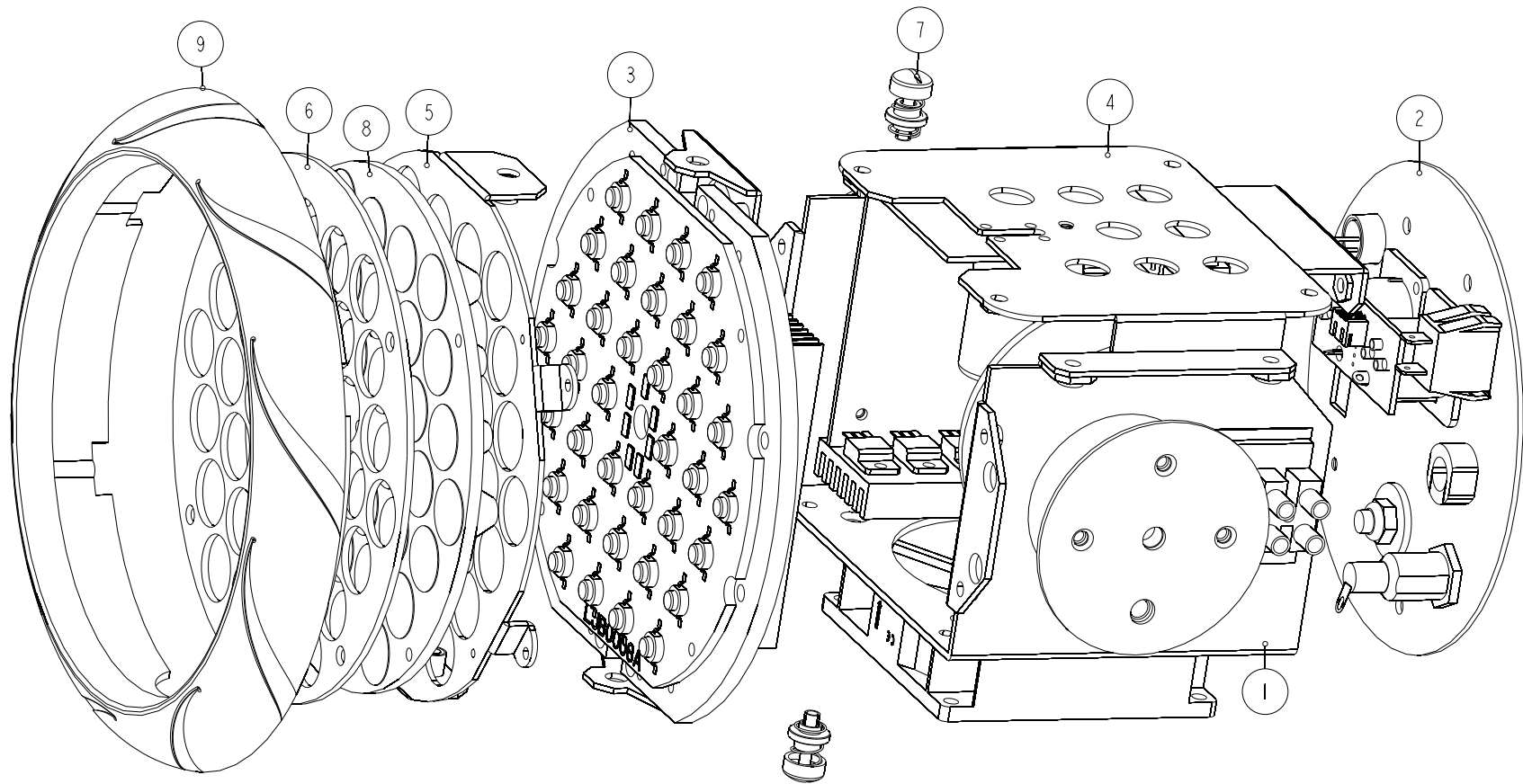
- ※ **Exploded Diagrams**
- ※ **Circuit Diagrams**
- ※ **Wiring Diagrams**
- ※ **Parts List**



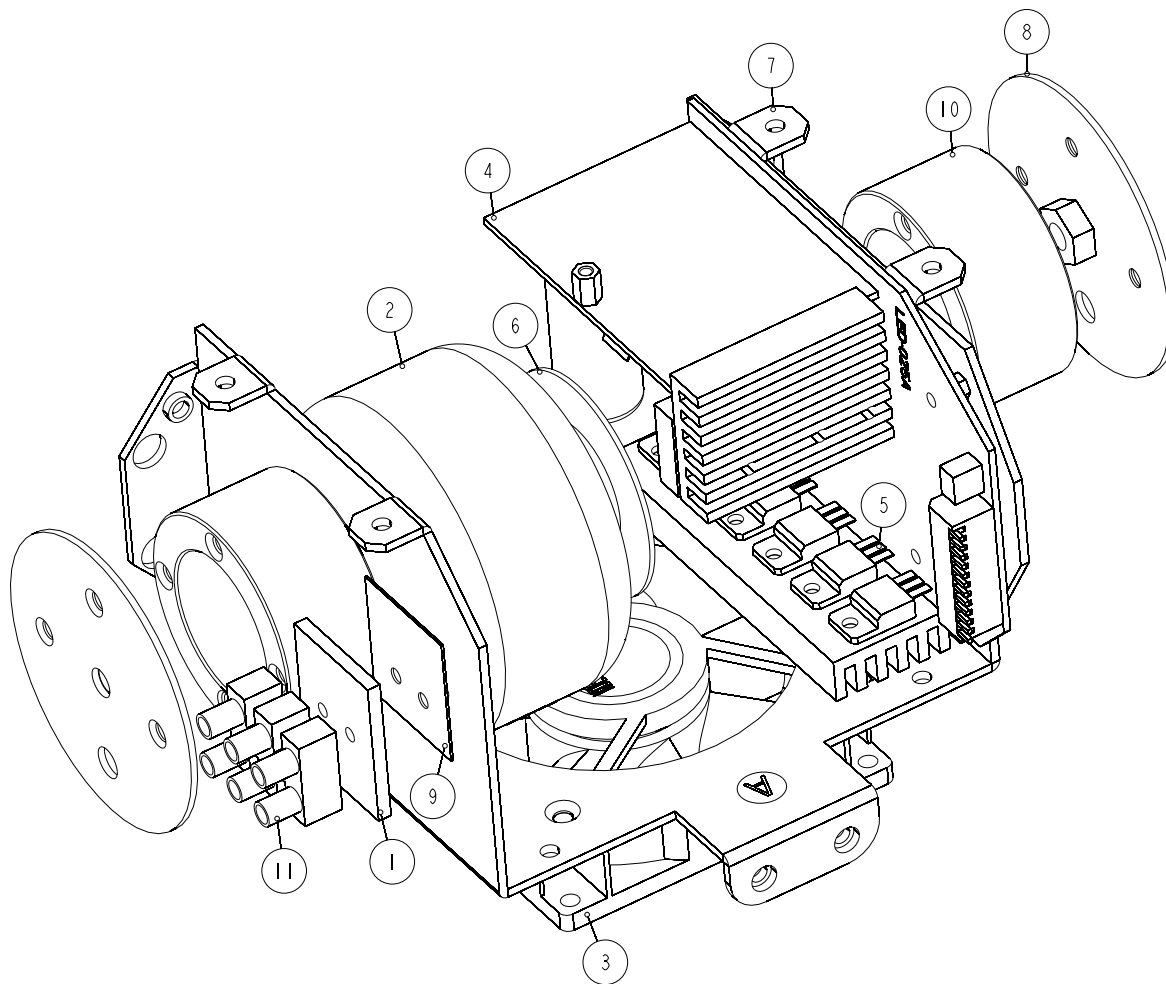
PRODUCT		DLED 36WA		
PIC. NO.		Front Page		
EDIT		FILE NO.	GS-EXP-100A	
CHECK		ORDER NO.	SO20080086	
APPROVE		VERSION	NR	SOFTWARE VER. V1.1



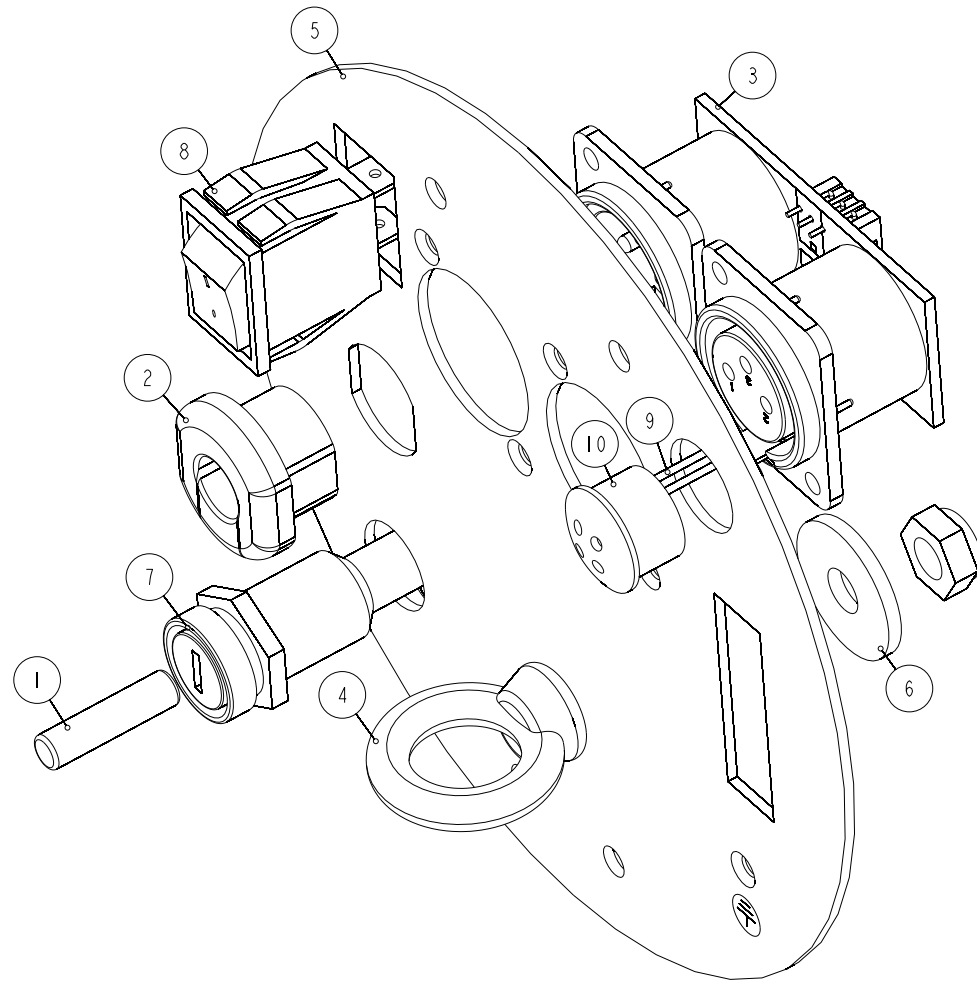
PRODUCT		DLED 36WA			
PIC. NO.		10-0034-00-00-00			
EDIT		FILE NO.	GS-EXP-100A	PAGE NO.	1/9
CHECK		VERSION	NR	DATE	2008.07.04
APPROVE		ECN NO.		DATE	



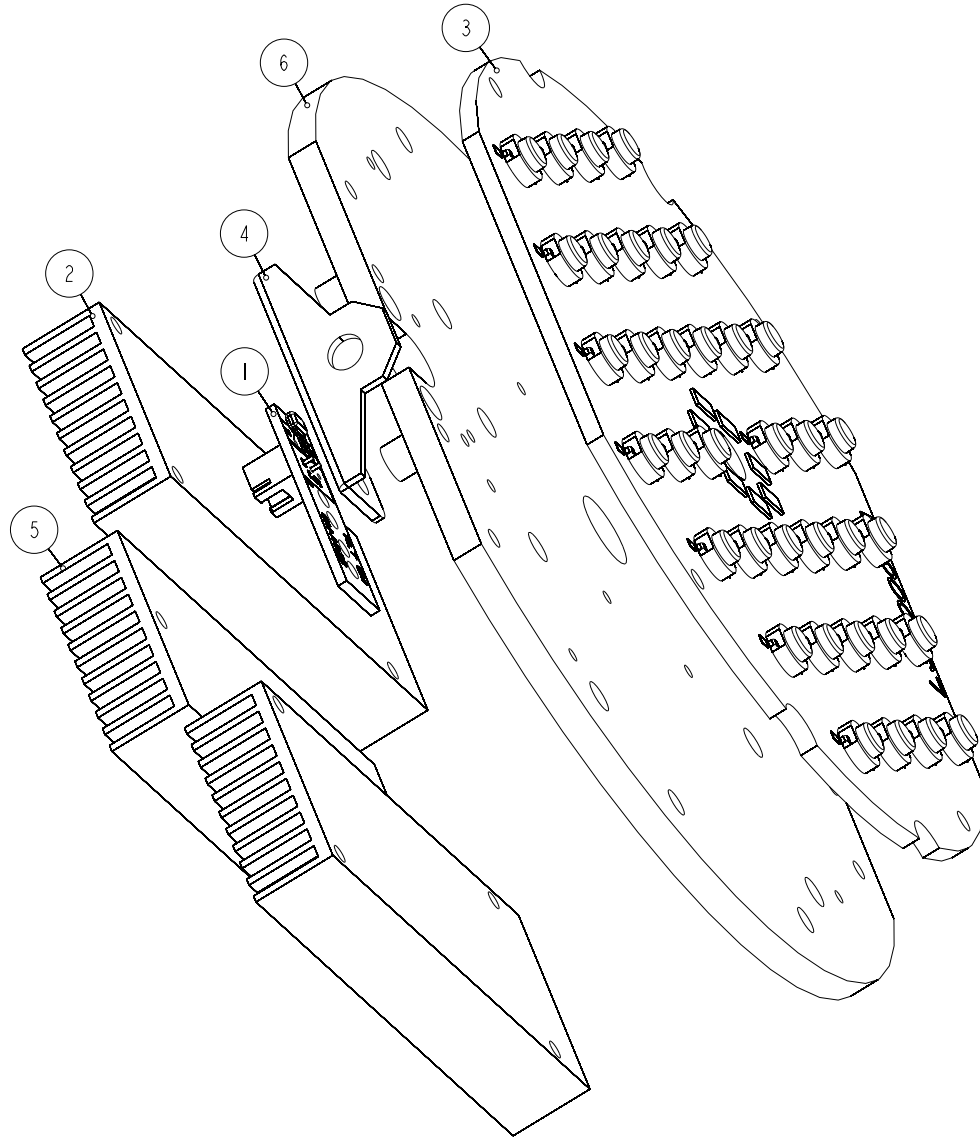
PRODUCT		DLED 36WA			
PIC. NO.		10-0034-01-00-00			
EDIT		FILE NO.	GS-EXP-100A	PAGE NO.	2/9
CHECK		VERSION	NR	DATE	2008.07.04
APPROVE		ECN NO.		DATE	



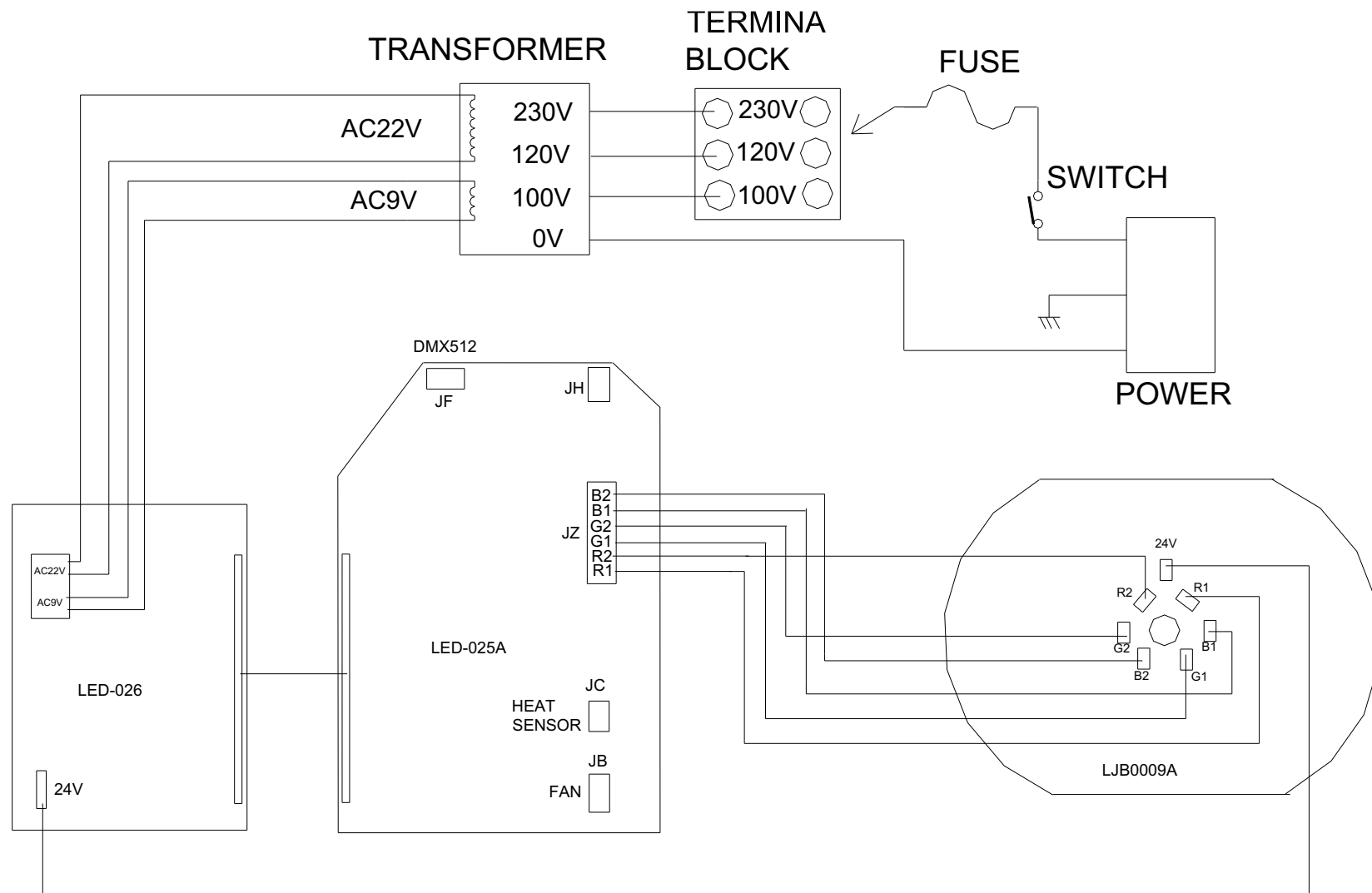
PRODUCT		DLED 36WA			
PIC. NO.		10-0034-01-01-00			
EDIT		FILE NO.	GS-EXP-100A	PAGE NO.	3/9
CHECK		VERSION	NR	DATE	2008.07.04
APPROVE		ECN NO.		DATE	



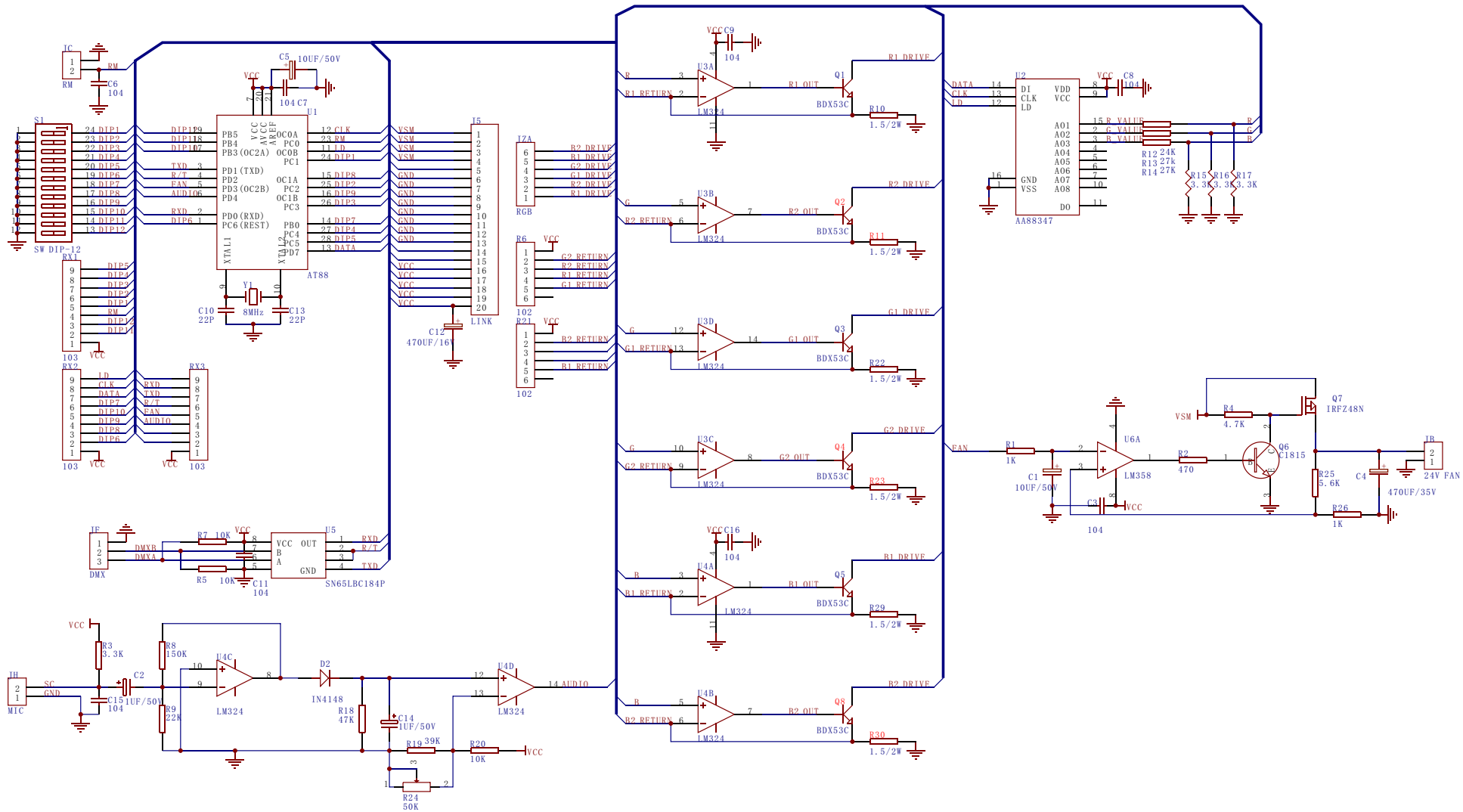
PRODUCT		DLED 36WA			
PIC. NO.		10-0032-01-02-00			
EDIT		FILE NO.	GS-EXP-100A	PAGE NO.	4/9
CHECK		VERSION	NR	DATE	2008.07.04
APPROVE		ECN NO.		DATE	



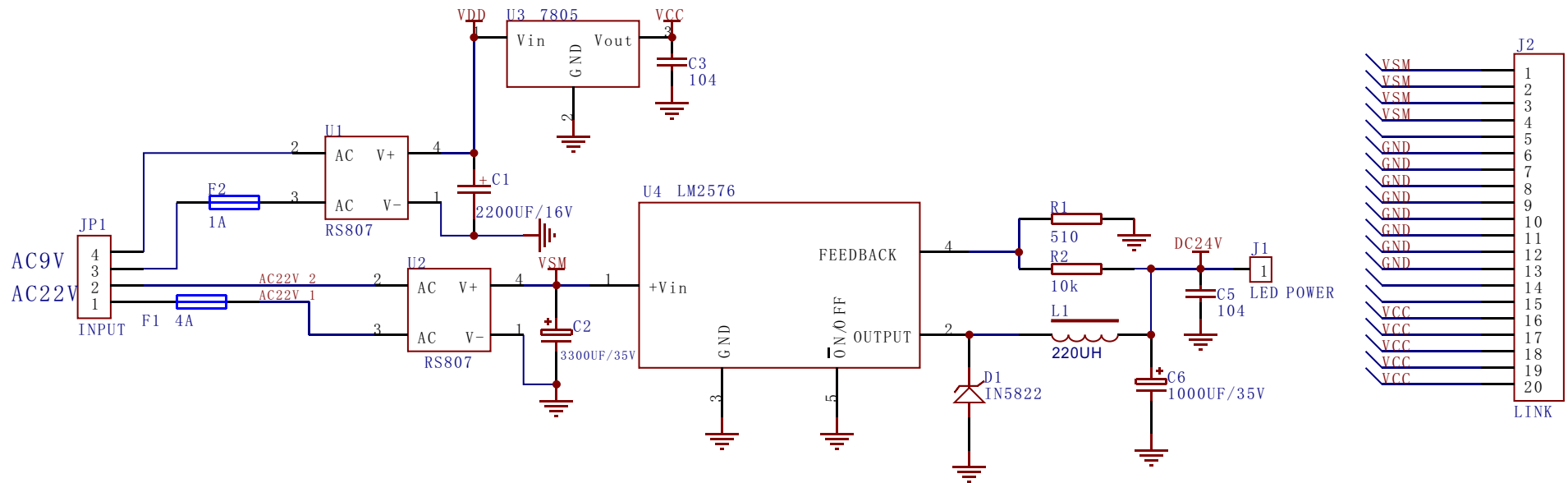
PRODUCT		DLED 36WA			
PIC. NO.		10-0034-01-03-00			
EDIT		FILE NO.	GS-EXP-100A	PAGE NO.	5/9
CHECK		VERSION	NR	DATE	2008.07.04
APPROVE		ECN NO.		DATE	



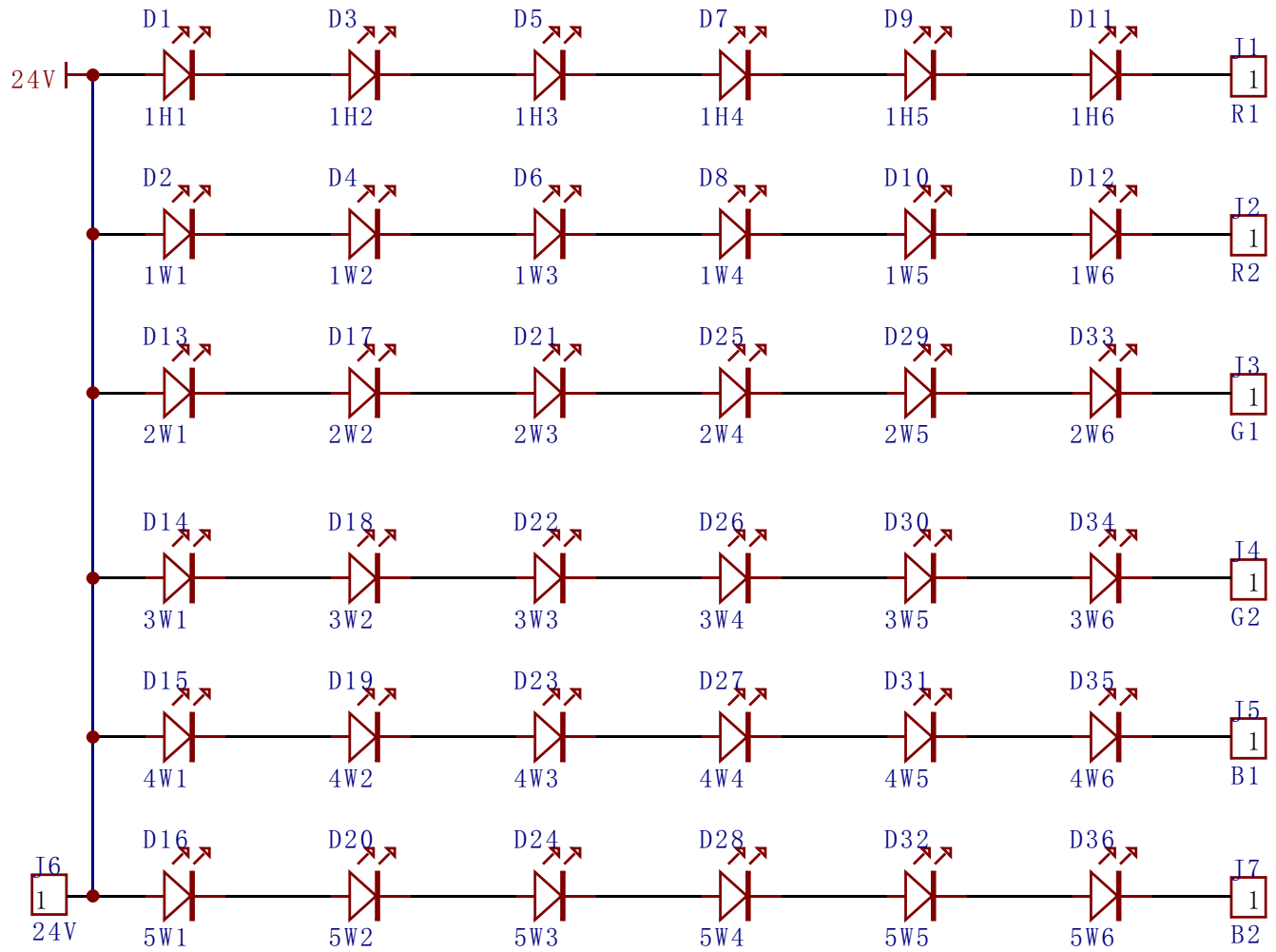
PRODUCT		DLED 36WA			
PIC. NO.		OVAL 36FA ELECTRIC			
EDIT		FILE NO.	GS-WJL-G005	PAGE NO.	6/9
CHECK		VERSION	NR	DATE	2008.07.04
APPROVE		ECN NO.		DATE	



PRODUCT		DLED 36WA			
PIC. NO.		LED-025A SCHEME			
EDIT		FILE NO.	GS-WIDL-126-02	PAGE NO.	7/9
CHECK		VERSION	NR	DATE	2008.07.04
APPROVE		ECN NO.		DATE	



PRODUCT		DLED 36WA			
PIC. NO.		LED-026 SCHEME			
EDIT		FILE NO.	GS-WIDL-127	PAGE NO.	8/9
CHECK		VERSION	NR	DATE	2008.07.04
APPROVE		ECN NO.		DATE	



PRODUCT		DLED 36WA			
PIC. NO.		LJB0009A SCHEME			
EDIT		FILE NO.	GS-WIDL-181	PAGE NO.	9/9
CHECK		VERSION	NR	DATE	2008.07.04
APPROVE		ECN NO.		DATE	